

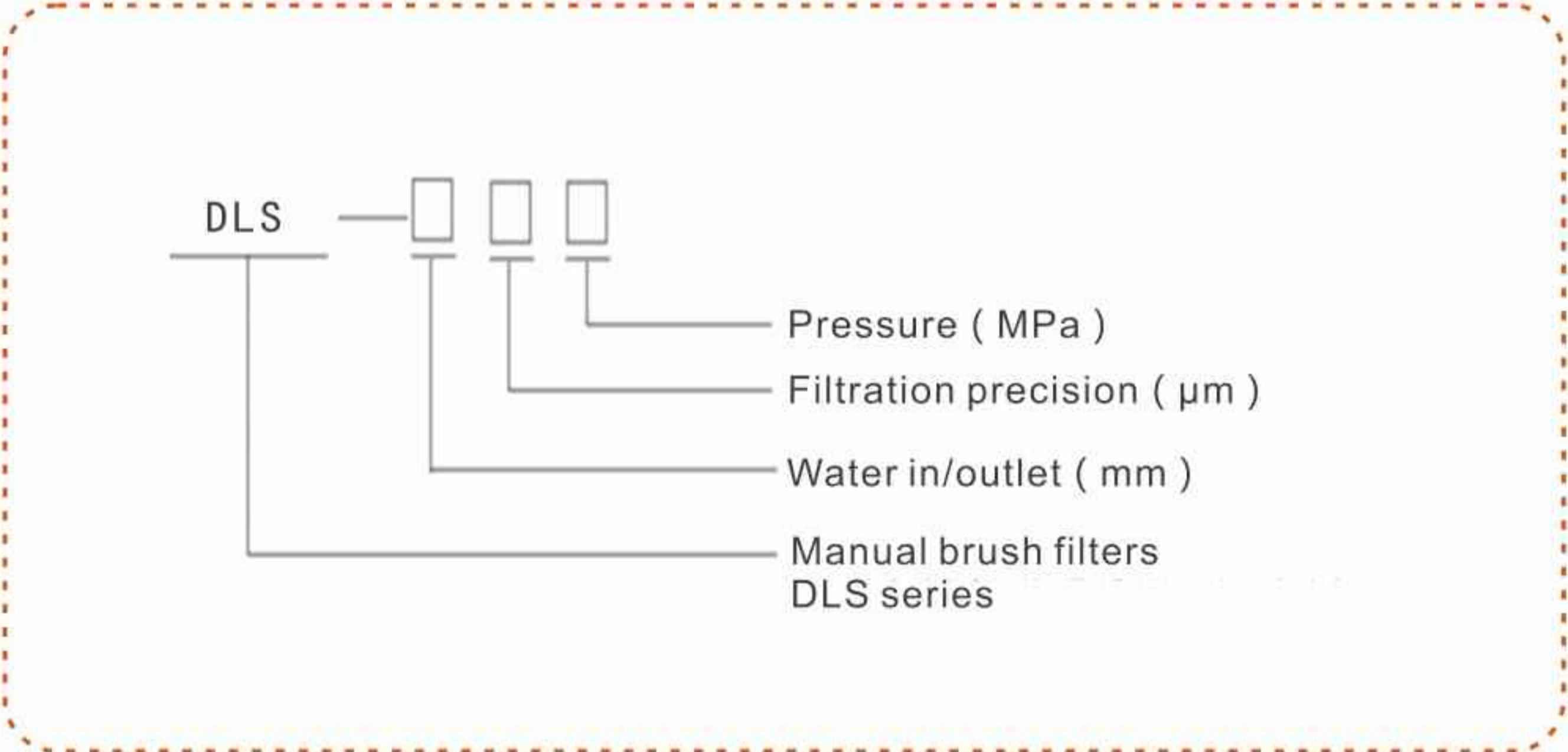
MANUAL BRUSH SCREEN FILTER DLS SERIES

PRINCIPLE DESCRIPTIONS

Manual brush filter is composed by filter body, stainless steel screen, cleaning brush holder with handle, drain valve and pressure gauge. Cleaning brush holder through the filter cover, and the cleaning brush is installed inside the stainless steel filter, When the water flows through manual brush filter, the impurity is intercepted by the filter., when need to drain, just shake the handle clockwise to open the drain valve number, can complete drainage, don't need to remove the filter cleaning internal mesh, cleaning sewage process flow do not interrupt.



MODEL CLARIFICATION



FILTER MATERIAL

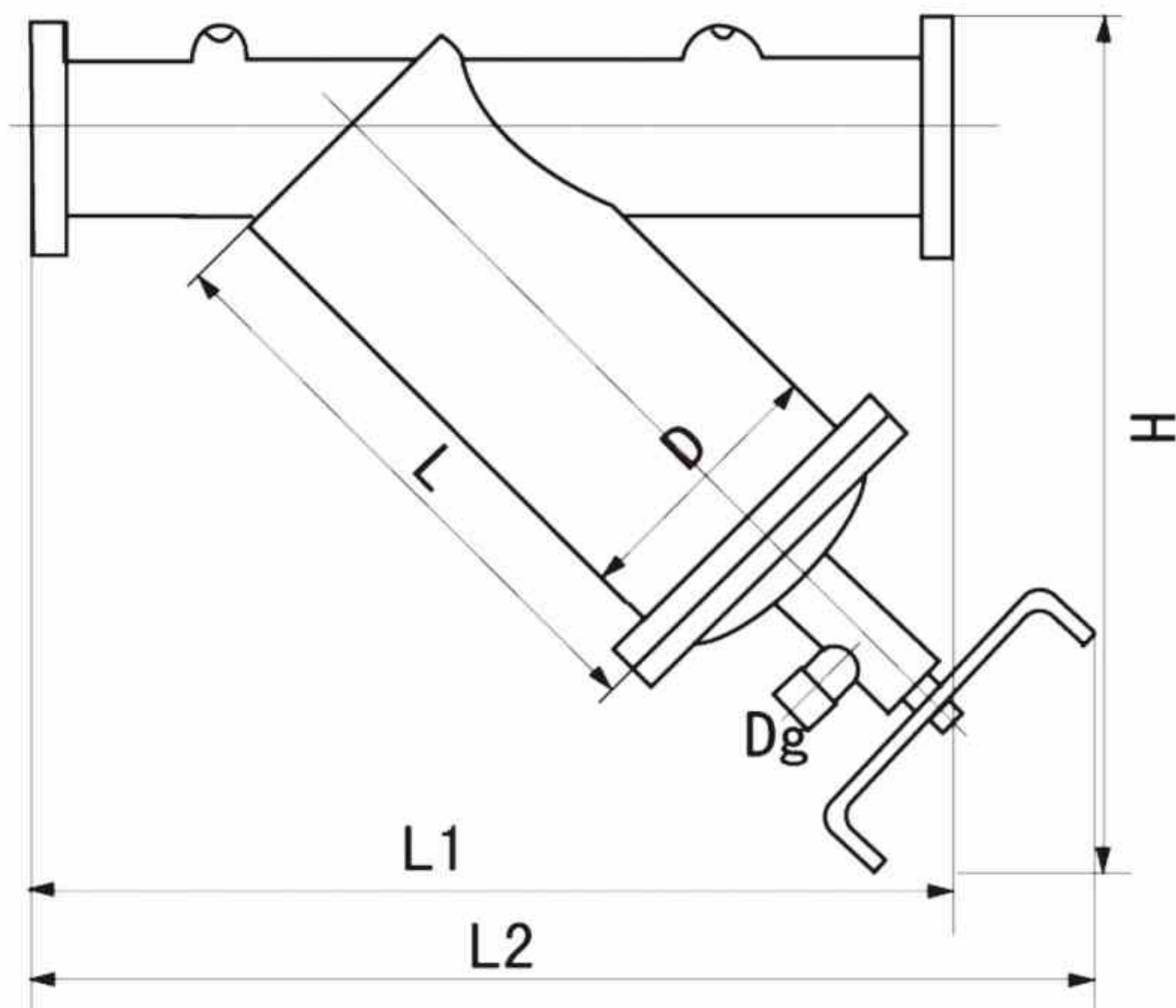
- Housing: Carbon steel/304 stainless steel/316L
- Mesh:304 stainless steel/316L
- Brush: 304 stainless steel/316L
- Drain valve: Casting iron, copper, stainless steel
- Sealing ring: EPDM rubber

* Various materials can be provided according to the user's requirements. Please consult CDFS company for details.

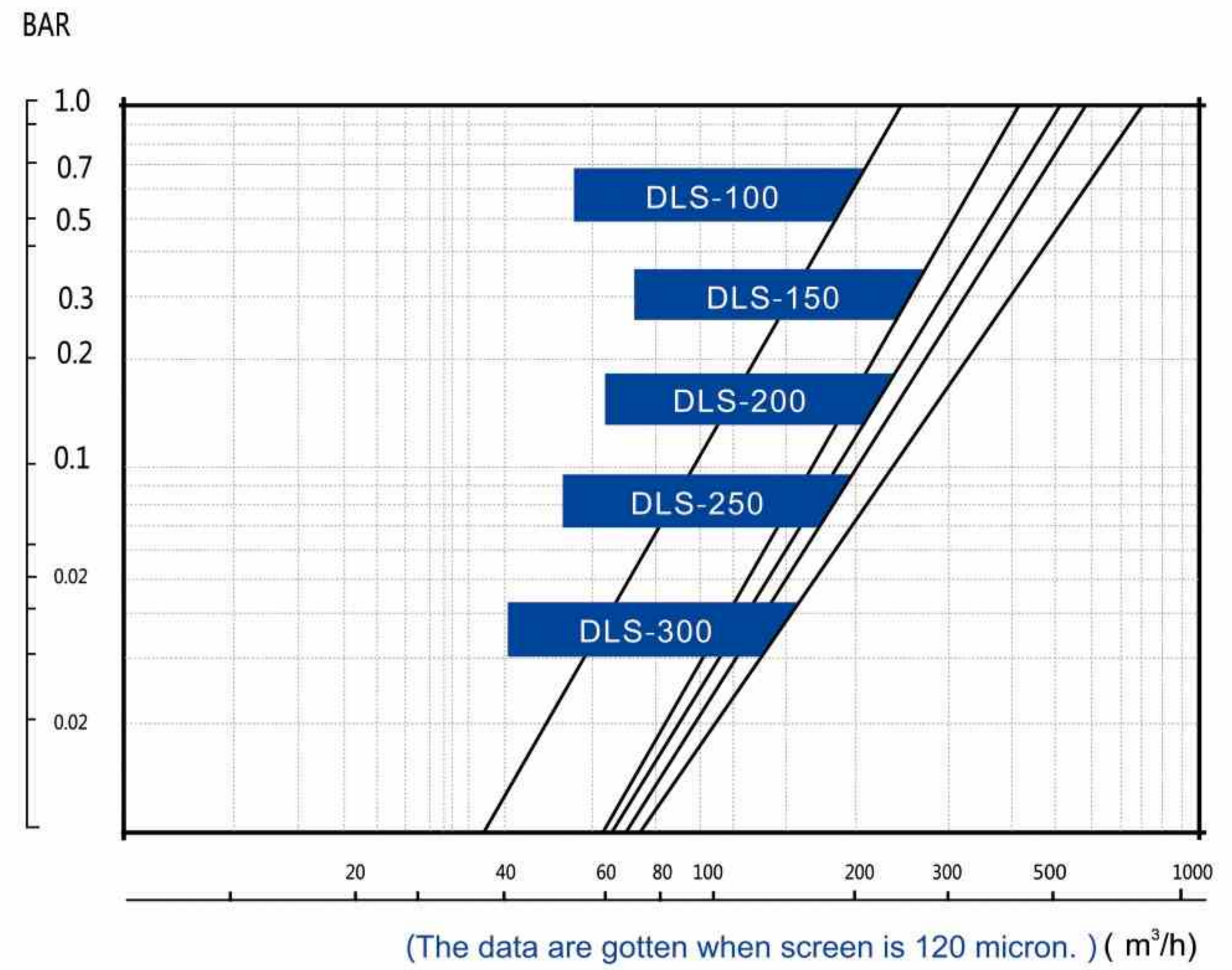
TECHNICAL PARAMETERS

Single maximum filter flow:970m ³ /h
Filtration range:4000µm~20µm
Max working pressure≤16 bar(customized)
Min working pressure≥1 bar
Working temperature≤85°C
Cleaning way: brush
Drilling(4000~800µm)
Wedge(1000~50µm)
Woven composite(800~20µm)

SIZE CHART



THE TABLE PRESSURE LOSS

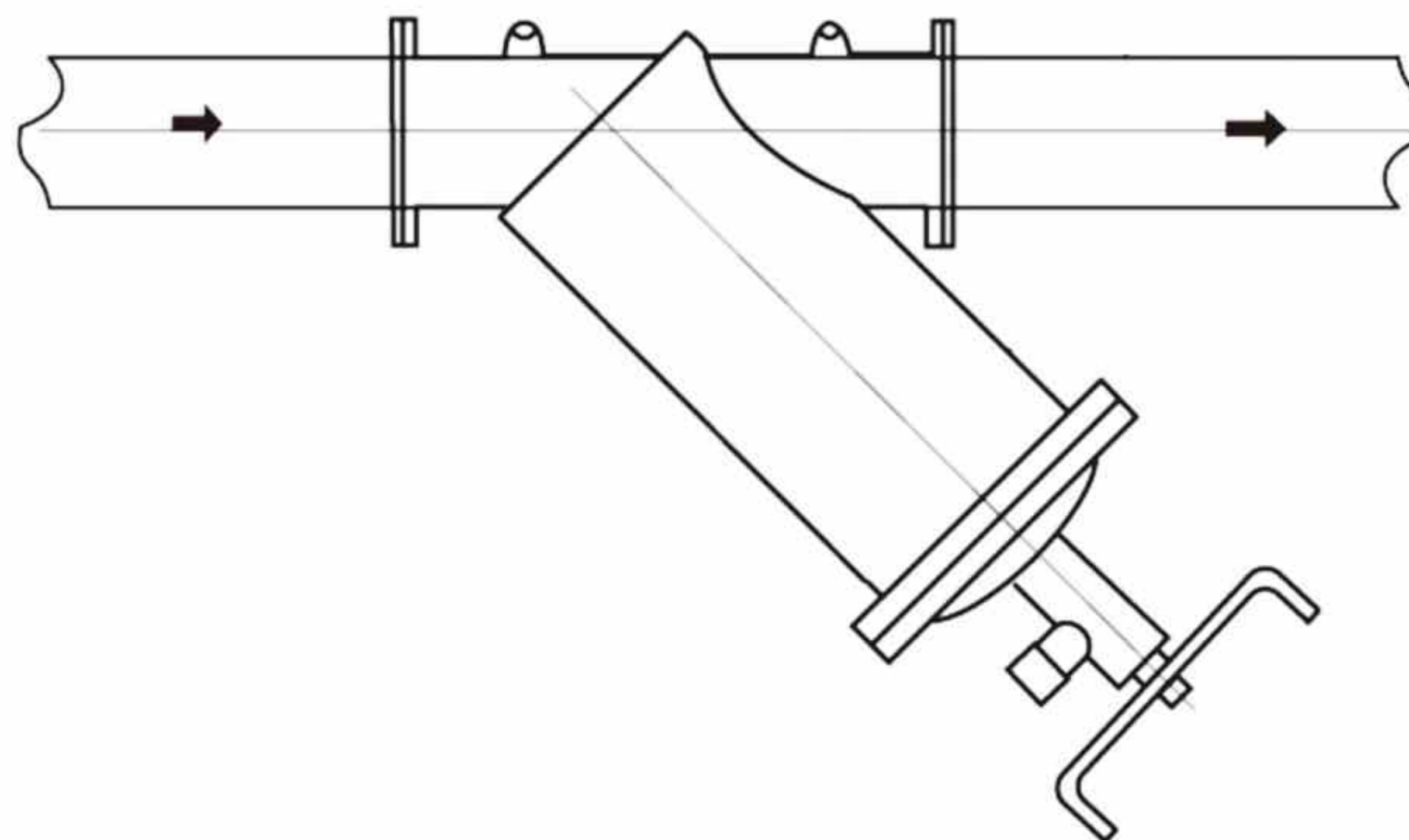


TECHNICAL DATA TABLE

MODEL	INTERFACE DIAMETER (mm)	L1(mm)	L2(mm)	L(mm)	D(mm)	H(mm)	DRAIN OUTLET (mm)	MAX FLOW (m ³ /h)
DLS-50	50	500	710	330	159	500	25	19
DLS-80	80	550	710	330	159	550	25	50
DLS-100	100	670	810	430	159	670	32	80
DLS-150	150	800	950	480	275	800	32	150
DLS-200	200	900	1050	560	325	900	40	320
DLS-250	250	1200	1350	744	377	1200	50	490
DLS-300	300	1250	1630	780	426	1250	65	710
DLS-350	350	1300	1980	820	478	1300	65	970

* The actual flow is directly related to water quality and filtration precision. Please consult the company for details.

INSTALLATION FIGURE



* Vertical or horizontal installation and multiple parallel are available. Please keep the drain face down when vertical installation.